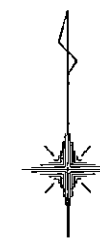
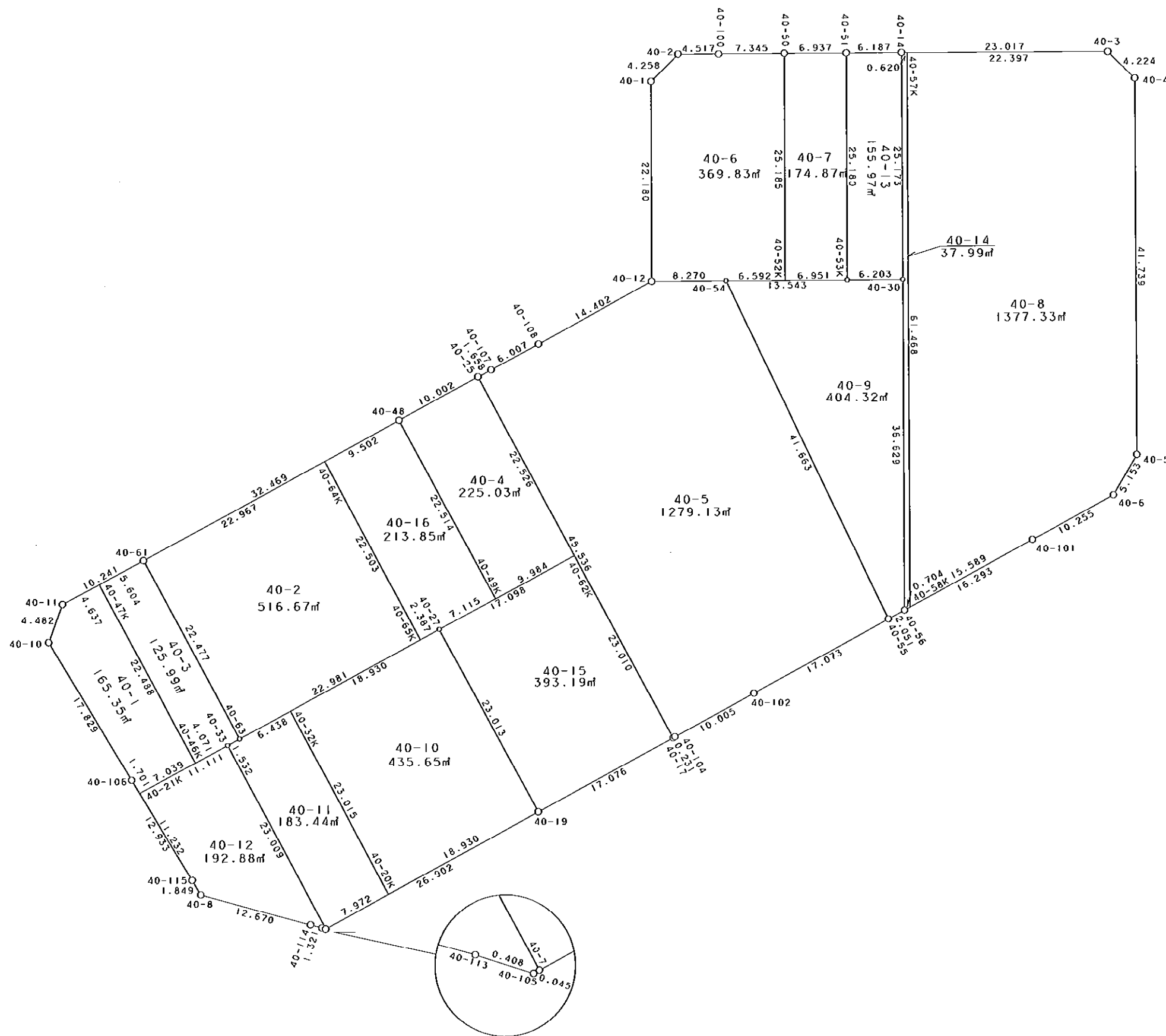


40街区



S = 1 / 500



凡 例

記号	名称
⊙	地区界点
○	街区点
○	画地点(折れ点)
┆	画地点(直線中)

面積 (座標法) 計算書

地番 = 40街区

測点名	[1] X (i)	[2] X (i+1)-X (i-1)	[3] Y (i)	[4] Y (i+1)-Y (i-1)	[2] * [3]	[1] * [4]	方向角	夾角	距離
40-61	-149558.418	-20.474	-40584.849	-37.482	830934.198426	5605748.623476	241-25-13	180-05-09	10.241
40-11	-149563.317	-9.123	-40593.842	-10.493	370337.620566	1569367.885281	199-33-02	138-07-49	4.482
40-10	-149567.541	-19.445	-40595.342	7.785	789376.425190	-1164383.306685	148-36-59	129-03-57	17.829
40-106	-149582.762	-26.242	-40586.057	16.052	1065059.307794	-2401102.495624	148-26-59	179-50-00	12.933
40-115	-149593.783	-12.594	-40579.290	7.738	511055.578260	-1157556.692854	148-18-48	179-51-49	1.849
40-8	-149595.356	-4.836	-40578.319	13.214	196236.750684	-1976753.034184	104-55-25	136-36-37	12.670
40-114	-149598.619	-3.612	-40566.076	13.517	146524.666512	-2022124.533023	105-19-11	180-23-46	1.321
40-113	-149598.968	-0.472	-40564.802	1.663	19146.586544	-248783.083784	107-32-48	182-13-37	0.408
40-105	-149599.091	-0.101	-40564.413	0.428	4097.005713	-64028.410948	60-34-21	133-01-33	0.045
40-7	-149599.069	12.903	-40564.374	23.657	-523402.117722	-3539065.175333	61-23-33	180-49-12	26.902
40-19	-149586.188	21.056	-40540.756	38.610	-853626.158336	-5775522.718680	61-23-48	180-00-15	17.076
40-17	-149578.013	8.297	-40525.764	15.188	-336242.263908	-2271790.861444	58-05-59	176-42-11	0.231
40-104	-149577.891	4.913	-40525.568	8.979	-199102.115584	-1343059.883289	61-23-17	183-17-18	10.005
40-102	-149573.100	12.966	-40516.785	23.771	-525340.634310	-3555502.160100	61-23-25	180-00-08	17.073
40-55	-149564.925	9.157	-40501.797	16.789	-370874.955129	-2511045.525825	61-23-54	180-00-29	2.051
40-56	-149563.943	8.792	-40499.996	16.100	-356075.964832	-2407979.482300	61-21-25	179-57-31	16.293
40-101	-149556.133	12.753	-40485.697	23.284	-516314.093841	-3482265.000772	61-10-59	179-49-34	10.255
40-6	-149551.190	9.389	-40476.712	11.591	-380035.848968	-1733447.843290	30-22-35	149-11-36	5.153
40-5	-149546.744	46.184	-40474.106	2.383	-1869256.111504	-356369.890952	359-41-38	149-19-03	41.739
40-4	-149505.006	44.706	-40474.329	-3.229	-1809445.352274	482751.664374	314-38-08	134-56-30	4.224
40-3	-149502.038	2.864	-40477.335	-26.023	-115927.087440	3890491.534874	269-44-28	135-06-20	23.017
40-14	-149502.142	-0.131	-40500.352	-29.204	5305.546112	4366060.554968	269-45-00	180-00-32	6.187
40-51	-149502.169	-0.060	-40506.539	-13.124	2430.392340	1962066.465956	269-43-39	179-58-39	6.937
40-50	-149502.202	-0.079	-40513.476	-14.282	3200.564604	2135190.448964	269-38-28	179-54-49	7.345
40-100	-149502.248	-0.055	-40520.821	-11.862	2228.645155	1773395.665776	269-53-09	180-14-41	4.517
40-2	-149502.257	-3.044	-40525.338	-7.504	123359.128872	1121864.936528	224-32-36	134-39-27	4.258
40-1	-149505.292	-25.215	-40528.325	-2.878	1021921.714875	430276.230376	179-43-06	135-10-30	22.180
40-12	-149527.472	-29.102	-40528.216	-12.520	1179452.142032	1872083.949440	241-16-22	241-33-16	14.402
40-108	-149534.394	-9.792	-40540.845	-17.906	396975.954240	2677562.858964	241-27-34	180-11-12	6.007
40-107	-149537.264	-3.651	-40546.122	-6.739	148033.891422	1007731.622096	241-53-20	180-25-46	1.658
40-25	-149538.045	-5.579	-40547.584	-10.238	226214.971136	1530970.504710	241-20-02	179-26-42	10.002
40-48	-149542.843	-20.373	-40556.360	-37.265	826254.722280	5572714.044395	241-20-04	180-00-02	32.469
合計				倍面積 面積	12503.108909 6251.55	-12503.108909 6251.55			351.759

地番	筆種別	面積	坪数
40-1	筆界	165.35	50.01
40-2	筆界	516.67	156.29
40-3	筆界	125.99	38.11
40-4	筆界	225.03	68.07
40-5	筆界	1279.13	386.93
40-6	筆界	369.83	111.87
40-7	筆界	174.87	52.89
40-8	筆界	1377.33	416.64
40-9	筆界	404.32	122.30
40-10	筆界	435.65	131.78
40-11	筆界	183.44	55.49
40-12	筆界	192.88	58.34
40-13	筆界	155.97	47.18
40-14	筆界	37.99	11.49
40-15	筆界	393.19	118.94
40-16	筆界	213.85	64.69
	合計	6251.49	1891.02

面積 (座標法) 計算書

地番 = 40-1  
測点名

	[1] X (i)	[2] X (i+1)-X (i-1)	[3] Y (i)	[4] Y (i+1)-Y (i-1)	[2] * [3]	[1] * [4]	方向角	夾角	距離
40-47K	-149561.099	17.518	-40589.770	-14.852	-711051.590860	2221281.442348	241-25-23	90-04-01	4.637
40-11	-149563.317	-6.442	-40593.842	-5.572	261505.530164	833366.802324	199-33-02	138-07-39	4.482
40-10	-149567.541	-19.445	-40595.342	7.785	789376.425190	-1164383.306685	148-36-59	129-03-57	17.829
40-106	-149582.762	-16.670	-40586.057	10.175	676569.570190	-1522004.603350	148-26-28	179-49-29	1.701
40-21K	-149584.211	1.927	-40585.167	7.067	-78207.616809	-1057111.619137	61-20-29	92-54-01	7.039
40-46K	-149580.835	23.112	-40578.990	-4.603	-937861.616880	688520.583505	331-21-22	90-00-53	22.488
合計				倍面積 面積	330.700995 165.35	-330.700995 165.35			58.176

面積 (座標法) 計算書

地番 = 40-2  
測点名

	[1] X (i)	[2] X (i+1)-X (i-1)	[3] Y (i)	[4] Y (i+1)-Y (i-1)	[2] * [3]	[1] * [4]	方向角	夾角	距離
40-64K	-149547.401	8.725	-40564.697	-30.951	-353926.981325	4628641.608351	241-20-05	90-00-49	22.967
40-61	-149558.418	-30.743	-40584.849	-9.378	1247700.012807	1402558.844004	151-21-27	90-01-22	22.477
40-63	-149578.144	-8.725	-40574.075	30.951	354008.804375	-4629593.134944	61-23-59	90-02-32	22.981
40-65K	-149567.143	30.743	-40553.898	9.378	-1246748.486214	-1402640.667054	331-19-16	89-55-17	22.503
合計				倍面積 面積	1033.349643 516.67	-1033.349643 516.67			90.928

面積 (座標法) 計算書

地番 = 40-3  
測点名

	[1] X (i)	[2] X (i+1)-X (i-1)	[3] Y (i)	[4] Y (i+1)-Y (i-1)	[2] * [3]	[1] * [4]	方向角	夾角	距離
40-46K	-149580.835	-17.784	-40578.990	14.353	721656.758160	-2146933.724755	61-21-05	89-59-43	4.071
40-33	-149578.883	2.691	-40575.417	4.915	-109188.447147	-735180.209945	61-09-35	179-48-30	1.532
40-63	-149578.144	20.465	-40574.075	-9.432	-830348.444875	1410821.054208	331-21-27	90-11-52	22.477
40-61	-149558.418	17.045	-40584.849	-15.695	-691768.751205	2347319.370510	241-25-05	90-03-38	5.604
40-47K	-149561.099	-22.417	-40589.770	5.859	909900.874090	-876278.479041	151-21-22	89-56-17	22.488
合計				倍面積 面積	251.989023 125.99	-251.989023 125.99			56.172

面積 (座標法) 計算書

地番 = 40-4  
測点名

	[1] X (i)	[2] X (i+1)-X (i-1)	[3] Y (i)	[4] Y (i+1)-Y (i-1)	[2] * [3]	[1] * [4]	方向角	夾角	距離
40-48	-149542.843	-24.550	-40556.360	2.028	995658.638000	-303272.885604	151-19-20	89-59-18	22.514
40-49K	-149562.595	-14.974	-40545.556	19.570	607129.155544	-2926939.984150	61-24-25	90-05-05	9.984
40-62K	-149557.817	24.550	-40536.790	-2.028	-995178.194500	303303.252876	331-22-08	89-57-43	22.526
40-25	-149538.045	14.974	-40547.584	-19.570	-607159.522816	2926459.540650	241-20-02	89-57-54	10.002
合計				倍面積 面積	450.076228 225.03	-450.076228 225.03			65.026

面積 (座標法) 計算書

地番 = 40-5

測点名	[1] X (i)	[2] X (i+1)-X (i-1)	[3] Y (i)	[4] Y (i+1)-Y (i-1)	[2] * [3]	[1] * [4]	方向角	夾角	距離
40-25	-149538.045	-40.749	-40547.584	20.358	1652273.500416	-3044295.520110	151-22-06	89-28-46	45.536
40-17	-149578.013	-39.846	-40525.764	22.016	1614789.592344	-3293109.534208	58-05-59	86-43-53	0.231
40-104	-149577.891	4.913	-40525.568	8.979	-199102.115584	-1343059.883289	61-23-17	183-17-18	10.005
40-102	-149573.100	12.966	-40516.785	23.771	-525340.634310	-3555502.160100	61-23-25	180-00-08	17.073
40-55	-149564.925	45.677	-40501.797	-3.161	-1850000.581569	472774.727925	334-10-32	92-47-07	41.663
40-54	-149527.423	37.453	-40519.946	-26.419	-1517593.537538	3950364.988237	269-39-38	115-29-06	8.270
40-12	-149527.472	-6.971	-40528.216	-20.899	282522.193736	3124974.637328	241-16-22	151-36-44	14.402
40-108	-149534.394	-9.792	-40540.845	-17.906	396975.954240	2677562.858964	241-27-34	180-11-12	6.007
40-107	-149537.264	-3.651	-40546.122	-6.739	148033.891422	1007731.622096	241-53-20	180-25-46	1.658
合計				倍面積 面積	2558.263157 1279.13	-2558.263157 1279.13			144.845

面積 (座標法) 計算書

地番 = 40-6

測点名	[1] X (i)	[2] X (i+1)-X (i-1)	[3] Y (i)	[4] Y (i+1)-Y (i-1)	[2] * [3]	[1] * [4]	方向角	夾角	距離
40-50	-149502.202	25.139	-40513.476	-7.467	-1018468.273164	1116332.942334	269-38-28	89-55-07	7.345
40-100	-149502.248	-0.055	-40520.821	-11.862	2228.645155	1773395.665776	269-53-09	180-14-41	4.517
40-2	-149502.257	-3.044	-40525.338	-7.504	123359.128872	1121864.936528	224-32-36	134-39-27	4.258
40-1	-149505.292	-25.215	-40528.325	-2.878	1021921.714875	430276.230376	179-43-06	135-10-30	22.180
40-12	-149527.472	-22.131	-40528.216	8.379	896929.948296	-1252890.687888	89-39-38	89-56-32	8.270
40-54	-149527.423	0.085	-40519.946	14.862	-3444.195410	-2222276.560626	89-41-14	180-01-36	6.592
40-52K	-149527.387	25.221	-40513.354	6.470	-1021787.301234	-967442.193890	359-43-21	90-02-07	25.185
合計				倍面積 面積	739.667390 369.83	-739.667390 369.83			78.347

面積 (座標法) 計算書

地番 = 40-7

測点名	[1] X (i)	[2] X (i+1)-X (i-1)	[3] Y (i)	[4] Y (i+1)-Y (i-1)	[2] * [3]	[1] * [4]	方向角	夾角	距離
40-50	-149502.202	-25.218	-40513.476	-6.815	1021668.837768	1018857.506630	179-43-21	89-59-42	25.185
40-52K	-149527.387	-25.147	-40513.354	7.073	1018789.313038	-1057607.208251	89-41-12	89-57-51	6.951
40-53K	-149527.349	25.218	-40506.403	6.815	-1021490.470854	-1019028.883435	359-41-26	90-00-14	25.180
40-51	-149502.169	25.147	-40506.539	-7.073	-1018617.936233	1057428.841337	269-43-39	90-02-13	6.937
合計				倍面積 面積	349.743719 174.87	-349.743719 174.87			64.253

面積 (座標法) 計算書

地番 = 40-8  
測点名

	[1] X (i)	[2] X (i+1)-X (i-1)	[3] Y (i)	[4] Y (i+1)-Y (i-1)	[2] * [3]	[1] * [4]	方向角	夾角	距離
40-58K	-149563.606	-53.994	-40499.378	14.035	2186723.415732	-2099125.210210	61-21-19	61-41-07	15.589
40-101	-149556.133	12.416	-40485.697	22.666	-502670.413952	-3389839.310578	61-10-59	179-49-40	10.255
40-6	-149551.190	9.389	-40476.712	11.591	-380035.848968	-1733447.843290	30-22-35	149-11-36	5.153
40-5	-149546.744	46.184	-40474.106	2.383	-1869256.111504	-356369.890952	359-41-38	149-19-03	41.739
40-4	-149505.006	44.706	-40474.329	-3.229	-1809445.352274	482751.664374	314-38-08	134-56-30	4.224
40-3	-149502.038	2.867	-40477.335	-25.403	-116048.519445	3797800.271314	269-44-30	135-06-22	22.397
40-57K	-149502.139	-61.568	-40499.732	-22.043	2493487.499776	3295475.649977	179-40-12	89-55-42	61.468
合計				倍面積 面積	2754.669365 1377.33	-2754.669365 1377.33			160.825

面積 (座標法) 計算書

地番 = 40-9  
測点名

	[1] X (i)	[2] X (i+1)-X (i-1)	[3] Y (i)	[4] Y (i+1)-Y (i-1)	[2] * [3]	[1] * [4]	方向角	夾角	距離
40-54	-149527.423	-37.576	-40519.946	4.606	1522577.490896	-688723.310338	154-10-32	64-29-19	41.663
40-55	-149564.925	-36.520	-40501.797	19.950	1479125.626440	-2983820.253750	61-23-54	87-13-22	2.051
40-56	-149563.943	37.610	-40499.996	1.597	-1523204.849560	-238853.616971	359-40-51	118-16-57	36.629
40-30	-149527.315	36.594	-40500.200	-6.407	-1482064.318800	958021.507205	269-41-09	90-00-18	6.203
40-53K	-149527.349	-0.108	-40506.403	-19.746	4374.691524	2952567.033354	269-41-13	180-00-04	13.543
合計				倍面積 面積	808.640500 404.32	-808.640500 404.32			100.089

面積 (座標法) 計算書

地番 = 40-10  
測点名

	[1] X (i)	[2] X (i+1)-X (i-1)	[3] Y (i)	[4] Y (i+1)-Y (i-1)	[2] * [3]	[1] * [4]	方向角	夾角	距離
40-20K	-149595.252	-11.126	-40557.375	27.667	451241.354250	-4138851.837084	61-23-31	90-04-46	18.930
40-19	-149586.188	29.252	-40540.756	5.572	-1185898.194512	-833494.239536	331-18-44	89-55-13	23.013
40-27	-149566.000	11.126	-40551.803	-27.667	-451179.360178	4138042.522000	241-23-55	90-05-11	18.930
40-32K	-149575.062	-29.252	-40568.423	-5.572	1186707.509596	833432.245464	151-18-45	89-54-50	23.015
合計				倍面積 面積	871.309156 435.65	-871.309156 435.65			83.888

面積 (座標法) 計算書

地番 = 40-11  
測点名

	[1] X (i)	[2] X (i+1)-X (i-1)	[3] Y (i)	[4] Y (i+1)-Y (i-1)	[2] * [3]	[1] * [4]	方向角	夾角	距離
40-32K	-149575.062	17.108	-40568.423	-16.700	-694044.580684	2497903.535400	241-23-48	90-05-03	6.438
40-63	-149578.144	-3.821	-40574.075	-6.994	155033.540575	1046149.539136	241-09-35	179-45-47	1.532
40-33	-149578.883	-20.925	-40575.417	9.701	849040.600725	-1451064.743983	151-19-07	90-09-32	23.009
40-7	-149599.069	-16.369	-40564.374	18.042	663998.238006	-2699066.402898	61-23-37	90-04-30	7.972
40-20K	-149595.252	24.007	-40557.375	-4.049	-973660.901625	605711.175348	331-18-45	89-55-08	23.015
合計				倍面積 面積	366.896997 183.44	-366.896997 183.44			61.966

面積 (座標法) 計算書

地番 = 40-12  
測点名

	[1] X (i)	[2] X (i+1)-X (i-1)	[3] Y (i)	[4] Y (i+1)-Y (i-1)	[2]*[3]	[1]*[4]	方向角	夾角	距離
40-33	-149578.883	14.858	-40575.417	-20.793	-602869.545786	3110193.714219	241-20-42	90-01-35	11.111
40-21K	-149584.211	-14.900	-40585.167	-3.873	604718.988300	579339.649203	148-27-04	87-06-22	11.232
40-115	-149593.783	-11.145	-40579.290	6.848	452256.187050	-1024418.225984	148-18-48	179-51-44	1.849
40-8	-149595.356	-4.836	-40578.319	13.214	196236.750684	-1976753.034184	104-55-25	136-36-37	12.670
40-114	-149598.619	-3.612	-40566.076	13.517	146524.666512	-2022124.533023	105-19-11	180-23-46	1.321
40-113	-149598.968	-0.472	-40564.802	1.663	19146.586544	-248783.083784	107-32-48	182-13-37	0.408
40-105	-149599.091	-0.101	-40564.413	0.428	4097.005713	-64028.410948	60-34-21	133-01-33	0.045
40-7	-149599.069	20.208	-40564.374	-11.004	-819724.869792	1646188.155276	331-19-07	90-44-46	23.009
合計				倍面積 面積	385.769225 192.88	-385.769225 192.88			61.645

面積 (座標法) 計算書

地番 = 40-13  
測点名

	[1] X (i)	[2] X (i+1)-X (i-1)	[3] Y (i)	[4] Y (i+1)-Y (i-1)	[2]*[3]	[1]*[4]	方向角	夾角	距離
40-51	-149502.169	-25.207	-40506.539	-6.051	1021048.328573	904637.624619	179-41-26	89-56-26	25.180
40-53K	-149527.349	-25.146	-40506.403	6.339	1018574.009838	-947853.865311	89-41-09	89-59-43	6.203
40-30	-149527.315	25.207	-40500.200	6.051	-1020888.541400	-904789.783065	359-39-15	89-58-06	25.173
40-14	-149502.142	25.146	-40500.352	-6.339	-1018421.851392	947694.078138	269-45-00	90-05-45	6.187
合計				倍面積 面積	311.945619 155.97	-311.945619 155.97			62.743

面積 (座標法) 計算書

地番 = 40-14  
測点名

	[1] X (i)	[2] X (i+1)-X (i-1)	[3] Y (i)	[4] Y (i+1)-Y (i-1)	[2]*[3]	[1]*[4]	方向角	夾角	距離
40-57K	-149502.139	61.464	-40499.732	-0.974	-2489275.527648	145615.083386	269-43-22	90-03-10	0.620
40-14	-149502.142	-25.176	-40500.352	-0.468	1019636.861952	69967.002456	179-39-15	89-55-53	25.173
40-30	-149527.315	-61.801	-40500.200	0.356	2502952.860200	-53231.724140	179-40-51	180-01-36	36.629
40-56	-149563.943	-36.291	-40499.996	0.822	1469785.354836	-122941.561146	61-23-46	61-42-55	0.704
40-58K	-149563.606	61.804	-40499.378	0.264	-2503023.557912	-39484.791984	359-40-12	118-16-26	61.468
合計				倍面積 面積	75.991428 37.99	-75.991428 37.99			124.594

面積 (座標法) 計算書

地番 = 40-15  
測点名

	[1] X (i)	[2] X (i+1)-X (i-1)	[3] Y (i)	[4] Y (i+1)-Y (i-1)	[2]*[3]	[1]*[4]	方向角	夾角	距離
40-27	-149566.000	-28.371	-40551.803	-3.966	1150495.202913	593178.756000	151-18-44	89-54-19	23.013
40-19	-149586.188	-12.013	-40540.756	26.039	487016.101828	-3895074.749332	61-23-48	90-05-04	17.076
40-17	-149578.013	28.371	-40525.764	3.966	-1149756.450444	-593226.399558	331-22-04	89-58-16	23.010
40-62K	-149557.817	12.013	-40536.790	-26.039	-486968.458270	3894335.996863	241-24-25	90-02-21	17.098
合計				倍面積 面積	786.396027 393.19	-786.396027 393.19			80.197

### 面積 (座標法) 計算書

地番 = 40-16  
測点名

	[1] X (i)	[2] X (i+1) - X (i-1)	[3] Y (i)	[4] Y (i+1) - Y (i-1)	[2] * [3]	[1] * [4]	方向角	夾 角	距 離
40-65K	-149567.143	-18.599	-40553.898	12.894	754261.948902	-1928518.741842	61-23-02	90-03-46	2.387
40-27	-149566.000	4.548	-40551.803	8.342	-184429.600044	-1247679.572000	61-24-25	180-01-23	7.115
40-49K	-149562.595	23.157	-40545.556	-4.557	-938913.440292	681556.745415	331-19-20	89-54-55	22.514
40-48	-149542.843	15.194	-40556.360	-19.141	-616213.333840	2862399.557863	241-20-01	90-00-41	9.502
40-64K	-149547.401	-24.300	-40564.697	2.462	985722.137100	-368185.701262	151-19-16	89-59-15	22.503
合計				倍面積 面積	427.711826 213.85	-427.711826 213.85			64.021