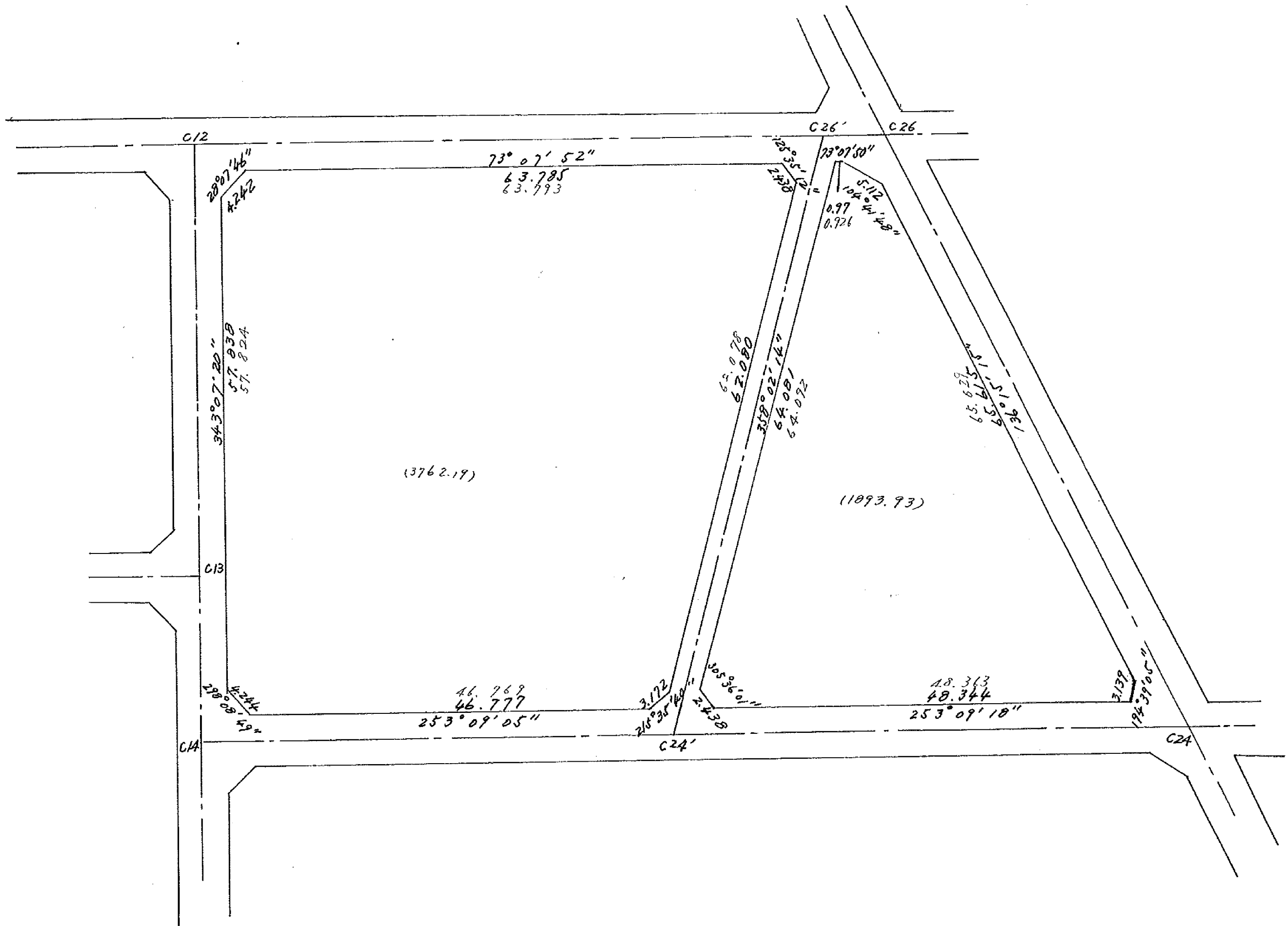


1-7







面積計算書

工区

/

ブロック

7

計測者



補注者



備考

点	①	②	③	④	⑤	⑥	③ × ⑤		② × ⑥	
	X	X-(定数)	$X_{n-1} - X_{n+1}$	Y	Y-(定数)	$Y_{n-1} - Y_{n+1}$	+	-	+	-
		(-152400.000)			(-35500.000)					
I	-152516.574	-116.574	+67.194	-35532.424	-32.424	+1.536		2178.698256		179.057664
VI	-152532.032	-132.032	+16.658	-35583.479	-83.479	+55.016		1390.593182		7263.872512
VII	-152533.232	-133.232	+16.207	-35587.440	-87.440	+53.515		1417.140080		7129.910480
II	-152548.239	-148.239	-46.081	-35636.994	-136.994	+68.088	6312.820514			10093.297032
III	-152487.151	-87.151	-81.048	-35655.528	-155.528	-47.291	12605.233344			4121.457941
VIII	-152467.191	-67.191	-21.161	-35589.703	-89.703	-69.786	1898.205183			4688.991126
V	-152465.990	-65.990	-2.353	-35585.742	-85.742	-7.760	201.750926			512.082400
IV	-152464.838	-64.838	+50.584	-35581.943	-81.943	-53.318		4145.004712	3457.032484	
							21018.009967	9131.436230	12779.563951	24666.137688
							11886.573737			11886.573737
							$Y_2 = 5943.2868685$			





面積計算書

工  
区 1

ブロック 7

計測者



検査者



備考

上 沃野 569-11  
下 沃野 569-15

点	①	②	③	④	⑤	⑥	③	×	⑤	②	×	⑥
	X	X-(定数)	$X_{n-1}-X_{n+1}$	Y	Y-(定数)	$Y_{n-1}-Y_{n+1}$	+		-	+		-
	沃野 569-11	(-152470.000)			(-35580.000)							
37	-152475.219	-5.219	+10.917	-35589.428	-9.428	-21.633			102.925476	112.902627		
36	-152486.841	-16.841	+12.219	-35589.030	-9.030	+17.748			110.337570			298.894068
41	-152487.438	-17.438	-10.917	-35607.176	-27.176	+21.633	296.680392					377.236254
40	-152475.924	-5.924	-12.219	-35610.663	-30.663	-17.748	374.671197			105.139152		
							671.351589	213.263046		218.041779	676.130322	
							458.088543			458.088543		
							$\times \frac{1}{2} = 229.0442715$					
	沃野 569-15	(-152480.000)			(-35580.000)							
36	-152486.841	-6.841	+9.658	-35589.030	-9.030	-18.498			87.211740	126.544818		
35	-152477.096	-17.096	+10.758	-35588.678	-8.678	+15.069			93.357924			257.619624
42	-152477.599	-17.599	-9.658	-35604.099	-24.099	+18.498	232.748142					325.546302
41	-152487.438	-7.438	-10.758	-35607.176	-27.176	-15.069	298.359408			112.083222		
							716.477109	180.569664		238.628040	583.165926	
							525.107550					
							344.537886					344.537886
							$\times \frac{1}{2} = 172.268943$					

面積計算書

区

1

ブロック

7

計測者



監査者



備考

浜野 569-12

点	①	②	③	④	⑤	⑥	③ × ⑤	② × ⑥
	X	X-(定数)	$X_{n-1}-X_{n+1}$	Y	Y-(定数)	$Y_{n-1}-Y_{n+1}$	+	-
	浜野 569-12							
35	-152 497.076	(152490) -7.076	+ 15.219	-35 588.678	(35580) -8.678	* 15.960		113.252160 <del>115.79088</del>
34	512.818	-22.818	+ 16.242	588.139	- 8.139	+ 14.431	132.070482	329.286558
45	513.338	-23.338	- 9.617	603.109	-23.109	+ 15.297	222.239253	357.001386
44	503.201	-13.201	-13.958	603.436	-23.436	+ 0.451	327.119688	5.953651
43	499.380	- 9.380	- 5.602	603.560	-23.560	+ 0.663	131.983120	6.218940
42	497.599	- 7.599	- 2.284	604.099	-24.099	-14.882	55.042116	113.088318
							736.384177	264.264120
							472.120057	<del>74.667406</del> 678.460535
								226.340478
								472.120057
	浜野 569-10							
							$\frac{1}{2} = 236.0600285$	
33	-152 517.667	(152510) - 7.667	+ 12.951	-35 587.973	(35580) - 7.973	- 19.393		103.258323
14	531.233	- 21.233	+ 16.145	587.508	- 7.508	+ 1.381	121.216660	29.322773
15	533.812	- 23.812	+ 6.492	589.354	- 9.354	+ 14.768	60.726168	351.655616
20	537.725	- 27.725	-15.530	602.276	-22.276	+ 17.547	345.946280	486.470575
47	518.282	- 8.282	-20.058	606.901	-26.901	- 14.303	539.580258	118.457446
							885.526538	285.201151
							600.325387	267.143577
								867.468764
								600.325387
							$\frac{1}{2} = 300.1626935$	



面積計算書

工区

/

ブロック

7

計測者



検査者



備考

点	①	②	③	④	⑤	⑥	③	×	⑤	②	×	⑥
	X	X-(定数)	$X_{n-r}-X_{n+1}$	Y	Y-(定数)	$Y_{n-r}-Y_{n+1}$	+		-	+		-
	保 1-7-2											
34	-152 512.818	(152500) -12.818	+ 4.329	-35 588.139	(35580) - 8.139	- 15.136				35.233731		194.013248
33	517.667	-17.667	+ 5.464	587.973	- 7.973	+ 18.762				43.564472		331.468254
47	518.282	-18.282	- 12.469	606.901	-26.901	+ 22.045	335.428567					402.953562
46	505.198	- 5.198	- 15.081	610.014	-30.014	- 3.465	452.641134			18.011070		
44	503.201	- 3.201	+ 8.140	603.436	-23.436	- 6.905			190.769040	22.102905		
45	513.338	-13.338	+ 9.617	603.109	-23.109	- 15.297			222.239253	204.031386		
							788.069703		491.806496	438.158607		734.421816
							296.263207					296.263207
							$\frac{1}{2} = 148.1316035$					
	<del>浜野 559=10</del>											
計	分筆後の座標なし											

面積計算書

工  
区

ブ  
ロ  
ック

7

計  
算  
者



精  
算  
者



備  
考

点	①	②	③	④	⑤	⑥	③ × ⑤	③ × ⑥
	X	X-(定数)	$X_{n-1} - X_{n+1}$	Y	Y-(定数)	$Y_{n-1} - Y_{n+1}$	+	-
浜野 577-1		(-752 470)			(-35 600)			
11	-152 475.182	- 5.182	+ 16.844	-35 610.888	- 10.888	- 31.583	183.786 584	163.663 106
43	499.380	- 29.380	+ 28.019	603.560	- 3.560	- 7.452	99.747 640	218.939 760
44	503.201	- 33.201	+ 10.893	603.436	- 3.436	+ 23.172	37.428 348	769.333 572
48	510.273	- 40.273	- 20.665	626.732	- 26.732	+ 31.707	416 780 552.394 948	1276.936 011
22	482.536	- 12.536	- 35.091	635.143	- 35.143	- 15.844	1233.203 013	198.620 384
							619 793 1785.573 061	320.573 460
							1465.046 333	581.223 250
								2046.269 583
								1465.046 333
保 1-7-1		(-152 460)			(-35 580)		$\frac{1}{2} = 732.523 1665$	
12	-152 467.771	- 7.771	- 4.478	-35 591.617	- 11.617	- 21.430	52.020 926	166.532 530
13	469.190	- 9.190	+ 7.448	589.634	- 9.634	- 2.189	71.754 032	20.116 910
37	475.219	- 15.219	+ 6.734	589.428	- 9.428	+ 21.029	63.488 152	320.040 351
40	475.924	- 15.924	- 0.037	610.663	- 30.663	+ 21.460	1.134 531	341.729 040
11	475.182	- 15.182	- 2.256	610.888	- 30.888	+ 0.401	69.683 328	6.089 982
8	473.668	- 13.668	- 7.411	611.064	- 31.064	- 19.271	230.215 304	263.396 028
							353.054 089	135.242 184
							450.045 468	667.857 373
							217.811 905	217.811 905
							$\frac{1}{2} = 108.905 9525$	

面積計算書

工  
区

1

ブ  
ロ  
ック

7

計  
算  
者



精  
算  
者



備  
考

点	①	②	③	④	⑤	⑥	③ ×	⑤	② ×	④
	X	X-(定数)	X <sub>n-1</sub> -X <sub>n+1</sub>	Y	Y-(定数)	Y <sub>n-1</sub> -Y <sub>n+1</sub>	+	-	+	-
	浜野 573-2 <sup>8</sup> (-152480)					(-35620)				
48	-152510.273	-30.273	+33.792	-35626.732	-6.732	+11.533		227.487744		349.138509
21	516.328	-36.328	-20.252	646.676	-26.676	+27.925	520.242352			1014.459400
5	490.021	-10.021	-28.178	654.657	-34.657	+6.981	976.564946			69.956601
6	488.150	-8.150	-7.485	653.657	-33.657	-19.514	251.922645		159.039100	
22	482.536	-2.536	+22.123	635.143	-15.143	-26.925		335.008589	68.281800	
							1768.729943	562.496333	227.320900	1433.554510
							1206.233610			1206.233610
							<u>Y<sub>2</sub> = 603.116805</u>			
	浜野 575 (-152500)					(-35600)				
46	-152505.198	-5.198	+21.397	-35610.014	-10.014	-44.400		214.269558	230.791200	
20	537.725	-37.725	+42.172	602.776	-2.276	+24.109		95.983472		909.512025
3	547.370	-47.370	+7.643	634.123	-34.123	+35.589		260.802089		1685.850930
4	545.368	-45.368	-31.042	637.865	-37.865	+12.553	1175.405330			569.504504
21	516.328	-16.328	-40.170	646.676	-46.676	-27.851	1874.974920		454.751128	
							3050.380250	571.055119	685.542328	3164.867459
							2479.325131			2479.325131
							<u>Y<sub>2</sub> = 1239.6625655</u>			

面積計算書

区

/

ブロック

7

計測者



検査者



備考

点	①	②	③	④	⑤	⑥	③	×	⑤	②	×	⑥
	X	X-(定数) (-152400.000)	$X_{n-1}-X_{n+1}$	Y	Y-(定数) (-35500.000)	$Y_{n-1}-Y_{n+1}$	+		-	+		-
VIII	-152467.191	-67.191	-67.242	-35589.703	-89.703	-1.698	6031.809126			114.090318		
V	-152465.990	-65.990	+64.841	-35585.742	-85.742	-6.224		5559.599022		410.721760		
VI	-152532.032	-132.032	+67.242	-35583.479	-83.479	+1.698		5613.294918				224.190336
VII	-152533.232	-133.232	-64.841	-35587.440	-87.440	+6.224	5669.697040					829.235968
							11701.506166	11172.891940	524.812078	1053.426304		
							528.614226					528.614226
							$\frac{1}{2} = 264.307113$					

面積計算書

工  
区

ブ  
ロ  
ック

7

計  
算  
者



精  
算  
者



備  
考

点	①	②	③	④	⑤	⑥	③ × ⑤		② × ⑥		
	X	X-(定数)	$X_{n-1}-X_{n+1}$	Y	Y-(定数)	$Y_{n-1}-Y_{n+1}$	+	-	+	-	
	決野 569-13										
		(-152510)			(-35568)						
31	152510.935	0.935	- 11.325	35584.202	16.202	- 14.551	193.487650			13.605185	
27	510.445	0.445	+ 15.137	569.279	1.279	- 15.521		19.360223		6.906845	
56	526.072	16.072	+ 15.901	568.681	0.681	+ 7.390		10.928581			118.772080
55	526.346	16.346	- 4.542	576.669	8.669	+ 8.153	39.374578				133.268938
54	521.530	11.530	- 4.576	576.834	8.834	+ 7.161	40.424384				566330 82.595477
53	521.770	11.770	- 10.595	583.830	15.830	+ 7.368	167.718850				86721360
							431.005407	30.188804	20.512020		421.328708
							400.816678				400.816678
							$\frac{1}{2} 200.408329$				

# 面積計算書

工  
区

ブ  
ロ  
ック

7

計  
算  
者



精  
算  
者



備  
考

点	①	②	③	④	⑤	⑥	③ × ⑤		② × ⑥	
	X	X-(定数)	$X_{n-1} - X_{n+1}$	Y	Y-(定数)	$Y_{n-1} - Y_{n+1}$	+	-	+	-
	保 1-7-3	(152221)								
	53-152521.770	- 0.770	- 8.503	-35.583.830	- 15.830	- 6.713	134.602490		5.169010	
54	521.530	- 0.530	+ 4.576	576.824	- 8.834	- 7.161		40.424384	3.785330	
55	526.346	- 5.346	+ 4.542	576.669	- 8.669	- 8.153		39.374598	43.525938	
56	526.072	- 5.072	+ 1.189	568.681	- 0.681	- 8.044		0.809709	40.799188	
19	527.535	- 8.535	+ 5.380	568.625	- 0.625	+ 12.884		3.362500	84.176940	
17	531.452	- 10.452	+ 2.498	521.565	- 13.565	+ 14.972		33.885370	155.964744	
16	529.033	- 9.033	- 9.682	523.547	- 15.547	+ 2.265	150.526054		20.459745	
							285.128504	117.956561	93.349446	62.429
							167.271983		260.257	
							167.271983		167.271983	
							1/2 83.6359915			

# 面積計算書

工区 /

ブロック 7

計算者

精算者

備考

保 留 地  
4

点	①	②	③	④	⑤	⑥	③ × ⑤		② × ⑥		
	X	X - (定数)	X <sub>n-1</sub> - X <sub>n+1</sub>	Y	Y - (定数)	Y <sub>n-1</sub> - Y <sub>n+1</sub>	+	-	+	-	
53	110, 621.770	-152,500, 21.770	- 8.503	-35, 523.830	-35,500, 23.830	- 6.713	712.806490			146.142010	
54	521.530	>1.630	+ 8.162	576.834	76.834	- 7.284		627.119108		156.244220	
新17-1	529.932	>9.932	+ 9.932	576.546	76.546	+ 4.701		759.489412		141.608292	
17	531.452	01.452	+ 0.101	581.565	81.565	+ 7.001		8.238065		220.195452	
16	530.033	00.033	- 9.682	583.507	83.507	+ 2.265	802.902054			68.024744	
							1521.708544	1394.846505	302.966630	629.828489	
							126.861959			126.861959	
								1/2 = 63.4309795			
55	-152, 526.346	-152,500, 26.346	- 3.860	-35, 576.669	-35,500, 76.669	- 7.865	>9.742340				
56	526.072	26.072	+ 1.189	568.681	68.681	- 8.044		81.661709		207.212907	
19	527.635	27.635	+ 3.860	568.625	68.625	+ 7.865		264.892500		209.723168	216.50775
新17-1	529.932	>9.932	- 1.189	576.546	76.546	+ 8.044	91.013194			200.773008	
							286.955534	306.554209	416.934458	457.325723	
							40.461325			210.461325	
								1/2 = 20.2006625			

面積計算書

工区

/

ブロック

7

計算者



精算者



備考

点	①	②	③	④	⑤	⑥	③ ×	⑤	③ ×	⑥
	X	X-(定数)	$X_{n-1} - X_{n+1}$	Y	Y-(定数)	$Y_{n-1} - Y_{n+1}$	+	-	+	-
赤野 567 568-2 (-152300)										
24	502.286	2.286	+ 8.516	-35 546.100	- 46.100	- 23.014			392.587 600	52.610 004
1	514.406	14.406	+ 15.157	534.498	- 34.498	- 10.805			522.886 186	155.656 830
2	517.443	17.443	+ 8.213	535.295	- 35.295	+ 17.892			289.877 835	312.070 156
18	522.619	22.619	- 11.553	552.390	- 52.390	+ 22.217	605.261 670			502.526 323
25	505.890	5.890	- 20.333	557.512	- 57.512	- 6.290	1169.391 496			37.048 100
							1774.653 166	- 1205.351 621	245.314 934	814.616 479
							569.301 545			569.301 545
							$\frac{1}{2} = 284.650 7725$			



面積計算書

工  
区

ブ  
ロ  
ック

7

計  
算  
者



精  
算  
者



備  
考

班	①	②	③	④	⑤	⑥	③ × ⑤		② × ⑥	
	X	X-(定数)	$X_{n-1} - X_{n+1}$	Y	Y-(定数)	$Y_{n-1} - Y_{n+1}$	+	-	+	-
	凍野 569-6 (152485)				(-35560)					
V	-152465.990	- 0.990	- 30.404	-35585.942	- 25.742	+ 0.104	782.659768			0.102960
9	465.708	- 0.708	+ 1.015	584.814	- 24.814	- 5.873		25.186210	4.158084	
10	467.005	- 2.005	+ 17.063	579.869	- 19.869	- 20.036		339.024747	40.172180	
61	482.771	- 17.771	+ 17.420	564.778	- 4.778	- 13.863		83.232760	237.473873	
52	484.425	- 19.425	+ 12.714	566.506	- 6.506	+ 1.352		82.717284		26.262600
38	495.485	- 30.485	+ 11.687	566.130	- 6.130	+ 18.204		71.641310		554.748940
29	496.112	- 31.112	- 29.485	584.710	- 24.710	+ 19.112	728.821450			610.168544
							1511.481218	601.802311	281.804137	1191.483044
							908.678907			907.678907
							$\frac{1}{2}$ 454.8394535			
	保 1-7-4 (-152482)				(-35551)					
51	-152482.991	- 0.771	+ 12.077	-35564.778	- 13.778	- 14.870		166.396906	11.464770	
50	496.502	- 19.502	+ 18.249	551.636	- 0.636	+ 1.164		11.666364		16.880328
49	501.020	- 19.020	- 12.077	565.942	- 14.942	+ 14.870	180.454534			282.827400
52	484.425	- 2.425	- 8.249	566.506	- 15.506	- 1.164	282.968994			2.822700
							463.423588	178.003270		
							285.420258		14.287470	299.707728
							$\frac{1}{2}$ 142.710129			285.420258

面 算 計 算 書

工  
区

/

ブ  
ンク

7

計  
算  
者



測  
量  
者



備  
考

点	①	②	③	④	⑤	⑥	③ × ⑤	② × ⑥		
	X	X-(定数)	X <sub>n-r</sub> -X <sub>n+1</sub>	Y	Y-(定数)	Y <sub>n-r</sub> -Y <sub>n+1</sub>	+	-		
水路										
11	-152 475.192	(152470) - 5.192	+ 14.493	-35 610.888	(35610) - 0.888	+ 42.593		12.260904	220.716926	
6	499.151	-19.151	+ 14.098	653.657	-43.657	+ 41.769		494.505396	759.149119	
7	426.280	-16.280	- 14.493	652.657	-42.657	- 42.593	617.901331		693.414040	
8	473.668	- 3.668	- 11.098	611.064	- 1.064	- 41.769	11.909272		153.209692	
							629.609603	477.366296	946.622732	978.966045
							132.243313			132.243313
							x 1/2 = 66.1216565			

面積計算書

工  
区

1

ブ  
ロ  
ック

7

計  
算  
者



精  
算  
者



備  
考

点	①	②	③	④	⑤	⑥	③ ×	⑤	② ×	①
	X	X - (定数)	$X_{n-1} - X_{n+1}$	Y	Y - (定数)	$Y_{n-1} - Y_{n+1}$	+	-	+	-
角切										
I	-152 516.574	<sup>(-152 510)</sup> - 6.574	+ 3.037	-35 532.424	<sup>(-35 530)</sup> - 2.424	+ 0.797		7.361688		5.239478
Z	517.443	- 7.443	- 2.168	535.295	- 5.295	+ 2.074	11.479560			15.436782
1	514.406	- 4.406	- 0.869	534.498	- 4.498	- 2.871	3.908762			12.649626
							15.388322	7.361688	12.649626	20.676260
							8.026634			8.026634
							$\frac{1}{2} = 4.013317$			
角切										
17	-152 531.452	<sup>(-152 530)</sup> - 1.452	+ 1.999	-35 581.565	<sup>(-35 580)</sup> - 1.565	- 0.068		3.128435	0.098736	
VI	532.032	- 2.032	- 1.419	583.479	- 3.479	+ 1.982	4.936701			4.027424
16	530.033	- 0.033	- 0.580	583.547	- 3.547	- 1.914	2.057260		0.063162	
							6.993961	3.128435	0.161898	4.027424
							3.865526			3.865526
							$\frac{1}{2} = 1.932763$			

面積計算書

工  
区

1

ブ  
ロック

7

計  
算  
者



勘  
定  
者



備  
考

点	①	②	③	④	⑤	⑥	③ ×	⑤	③ ×	⑥
	X	X-(定数)	$X_{n-1} - X_{n+1}$	Y	Y-(定数)	$Y_{n-1} - Y_{n+1}$	+	-	+	-
角切										
VII	-152 533.232	<sup>(-152 530)</sup> 3.232	+ 2.579	-35 587.440	<sup>(-35 580)</sup> 7.440	+ 1.846		19.187 760		5.966 272
15	533.812	3.812	- 1.999	589.354	9.354	+ 0.068	18.698 646			0.259 216
14	531.233	1.233	- 0.580	587.508	7.508	- 1.914	4.354 640		2.359 962	
							23.053 286	19.187 760	2.359 962	6.225 488
							3.865 526			3.865 526
							<u>1/2 = 1.932 763</u>			
角切										
3	-152 547.370	<sup>(-152 540)</sup> 7.370	+ 2.871	-35 634.123	<sup>(-35 630)</sup> 4.123	- 0.871		11.837 133	6.419 270	
II	548.239	8.239	- 2.002	636.994	6.994	+ 3.742	14.001 988			30.830 338
4	545.368	5.368	- 0.869	637.865	7.865	- 2.871	6.834 685		15.411 528	
							20.836 673	11.837 133	21.830 798	30.830 338
							8.999 540			8.999 540
							<u>1/2 = 4.499 770</u>			

面 積 計 算 書

工  
区

ノ  
ブ  
ック

7

計  
算  
者



測  
定  
者



備  
考

点	①	②	③	④	⑤	⑥	③	×	⑤	②	×	⑥
	X	X-(定数)	X <sub>n-1</sub> -X <sub>n+1</sub>	Y	Y-(定数)	Y <sub>n-1</sub> -Y <sub>n+1</sub>	+		-	+		-
角切 1.												
5	-152 490.021	(152480) -10.021	+ 0.871	-35 654.657	(35650) -4.657	+ 2.871			4.056247			28.770291
Ⅲ	487.151	-7.151	- 3.741	655.528	-5.528	- 2.000	20.680248			14.302000		
7	486.280	-6.280	+ 2.870	652.657	-2.657	-0.871			7.625590	5.469880		
							20.680248		11.681837	19.771880		28.770291
							8.998411					8.998411
									$\times \frac{1}{2} = 4.4992055$			
角切 2.												
12	-152 467.771	(152460) -7.771	- 1.999	-35 591.617	(35580) -11.617	+ 0.069	23.222383					0.536199
VIII	467.191	-7.191	+ 1.419	589.703	-9.703	- 1.983			13.768557	14.259753		
13	469.190	-9.190	+ 0.580	589.634	-9.634	+ 1.914			5.587720			17.589660
							23.222383		19.356277	14.259753		18.125859
							3.866106					3.866106
									$\times \frac{1}{2} = 1.933053$			

面積計算書

工区

1

ブロック

7

計測者



図算者



備考

点	①	②	③	④	⑤	⑥	③	×	⑤	②	×	⑥
	X	X-(定数)	$X_{n-1}-X_{n+1}$	Y	Y-(定数)	$Y_{n-1}-Y_{n+1}$	+		-	+		-
角切												
9	-152 465.709	(152460) -5.709'	-2.167'	-35 584.814	(35570) -14.814	+2.075'	32.101938					11.844100
IV	464.938'	-4.938'	+1.297'	581.943'	-11.943'	-4.946'		15.490071'		23.928748'		
10	467.005'	-7.005'	+0.870'	579.868'	-9.868'	+2.871'		8.585160'				20.111355'
							32.101938	-24.075231		23.928748		31.955455'
							8.026707					8.026707
							$\frac{1}{2} = 4.013354'$					

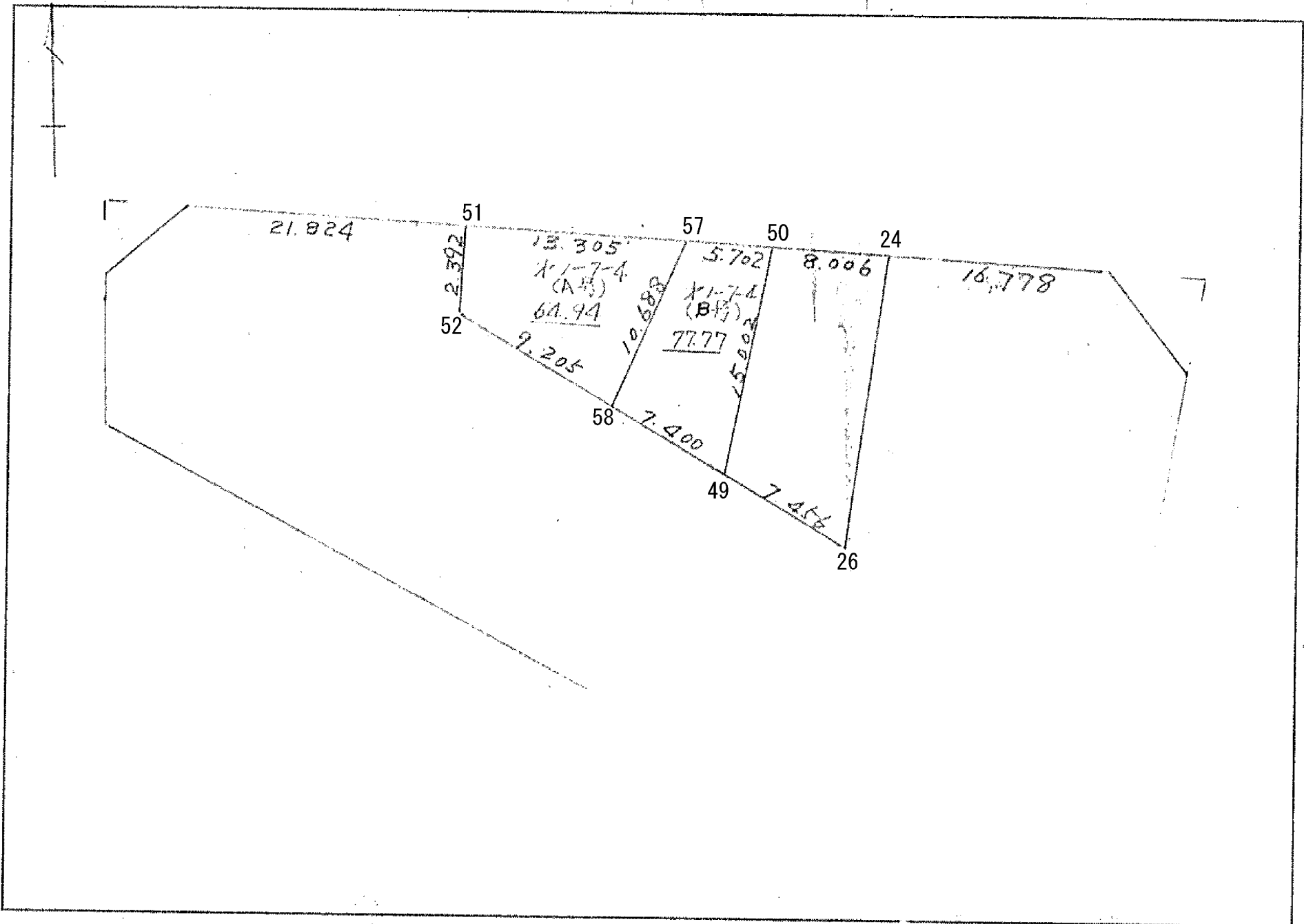
計年月日 算日	計算者	検査者
------------	-----	-----

B. No. 7 各筆面積計算書

地番	算式	隅切	地積	摘要
569-6			454.83	✓
569- <del>8</del> <sup>5</sup>			127.64	✓
569-7			198.09	✓
569-13			200.40	✓
569-8				
568-3			253.85	✓
567, 568-2				
<del>569-8</del>			284.65	✓
569-11			229.04	✓
569-15			172.26	✓
569-10			300.16	✓
569-12			236.06	✓
573-2(甲)			603.11	✓
575			1239.66	✓
577-1			732.52	✓
573-4			74.36	✓
保1-7-1			108.90	
保1-7-2			148.13	
保1-7-3			83.63	
保1-7-4			142.71	
水路			66.12	
直路		264.30		
取工		4.01		
II		4.49		
III		4.49		
IV		4.01		
V		1.93		







21.824

51

57

50

24

2.392

13.305

X1-7-4  
(A 1/2)

64.94

5.702

X1-7-4  
(B 1/2)

77.77

8.006

16.778

52

9.205

58

7.400

49

7.456

26

# 面積計算書

工  
区

ブ  
ロ  
ック

計  
算  
者



積  
算  
者

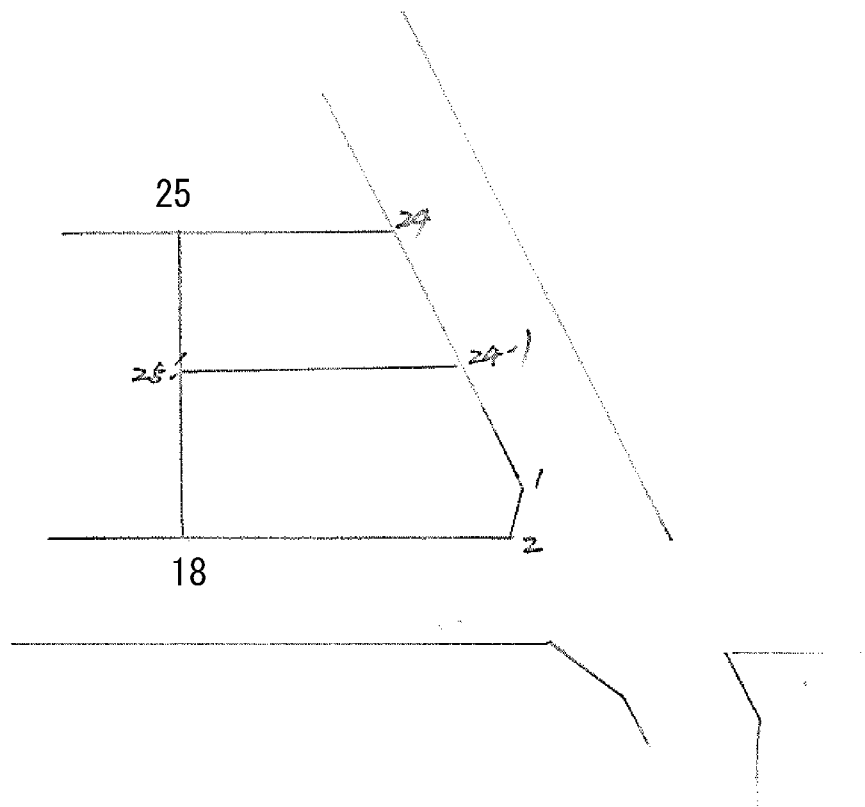
備  
考

才 1-7-4 A  
B 号

点	① X	② X-(定数) -152,480	③ X <sub>n-1</sub> -X <sub>n+1</sub>	④ Y	⑤ Y-(定数) -35,555	⑥ Y <sub>n-1</sub> -Y <sub>n+1</sub>	⑦	⑧ -	⑨ +	⑩ -
51	492.771	2.771	+ 7.958	564.778	9.778	- 10.928		77.813324	30.281488	
57	492.383	12.383	+ 10.854	555.578	0.578	+ 1.416		6.273612		17.534328
58	493.625	13.625	- 7.958	566.194	11.194	+ 10.928	89.081852			148.894240
52	484.425	4.425	- 10.854	566.506	11.506	- 1.416	124.886124 213.967976	84.086936	6.265800 31.547288	166.428328
							129.881040			129.881040
								1/2 = 64.940520		
57	492.383	2.383	+ 2.877	555.578	5.578	- 14.558		16.047906	34.611714	
50	496.502	6.502	+ 8.637	551.636	1.636	+ 10.364		14.130132		67.386728
49	501.020	11.020	- 2.877	565.942	15.942	+ 14.558	45.865134			160.429160
58	493.625	3.625	- 8.637	566.194	16.194	- 10.364	139.867578		37.569500	
							185.732712	30.178038	72.261214	227.815888
							155.554674			155.554674
								1/2 = 77.777337		

A  
区

B  
区



7

567  
568-2

座標法面積計算

測点	X	$\Delta x$	Y	$\Delta y$	(+) $F_1$ $\Delta x \cdot \Delta y$	(-) $F_2$ $\Delta x \cdot \Delta y$
24	508.556		540.098			
		-4.926		1095.286		5395.378876
25	513.482		555.188			
		-9.137		1107.578		10119.940186
18	522.619		552.390			
		+5.176		1087.685	5629.857560	
2	517.443		535.295			
		+7.037		1069.793	3248.961341	
1	514.406		534.498			
		+5.850		1074.596	6286.386600	
24	508.556		540.098			
$\Sigma =$					15165.20550	15515.31922
$F = (F_1) - (F_2) =$					350.11352	
計算値					$F / 2 =$	175.0567605
点検値					$\times 0.3025 =$	175.05

568-K

座標法面積計算 ( )

順次	X	$\Delta x$	Y	$\Delta y$	(+) $F_1$ $\Delta x \cdot \Delta y$	(-) $F_2$ $\Delta x \cdot \Delta y$
24	502.286		546.100			
		-3.604		1103.612		3977.417648
25	505.890		557.512			
		-7.592		1112.700		8467.61840
25	513.482		555.188			
		+4.926		1095.286	5995.378836	
24	508.556		540.098			
		+6.270		1086.198	6810.461460	
24	502.286		546.100			
					$\Sigma =$	12205.840296
					$F = (F_1) - (F_2) =$	219.195752
計算者					$F / 2 =$	109.597876
点検者					$\times 0.3025 =$	= 109.60